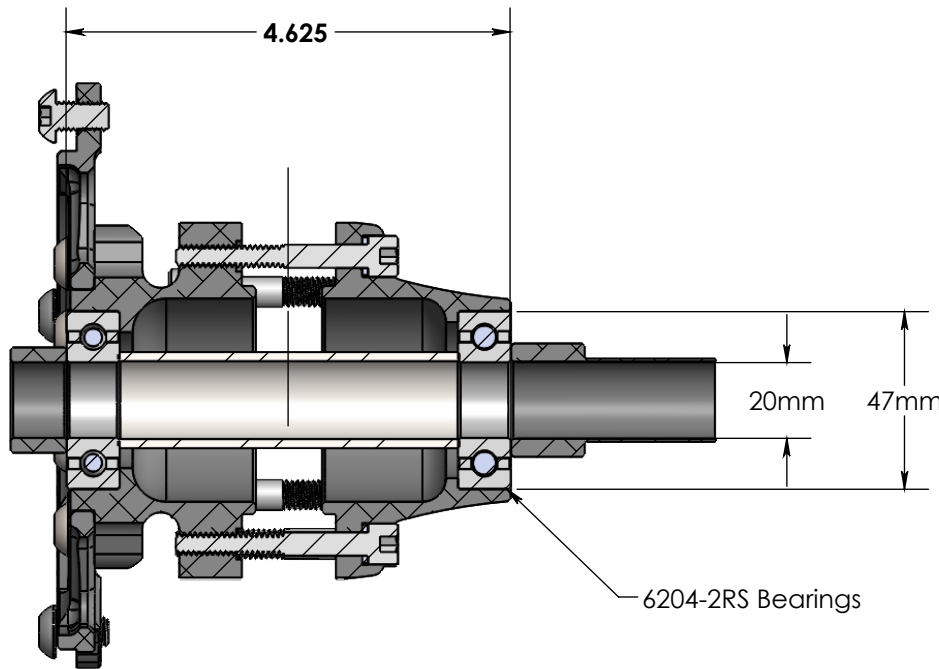
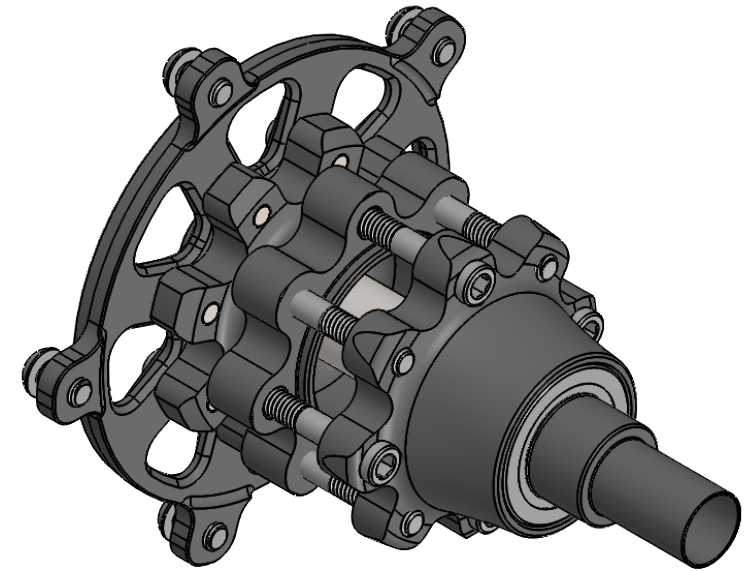
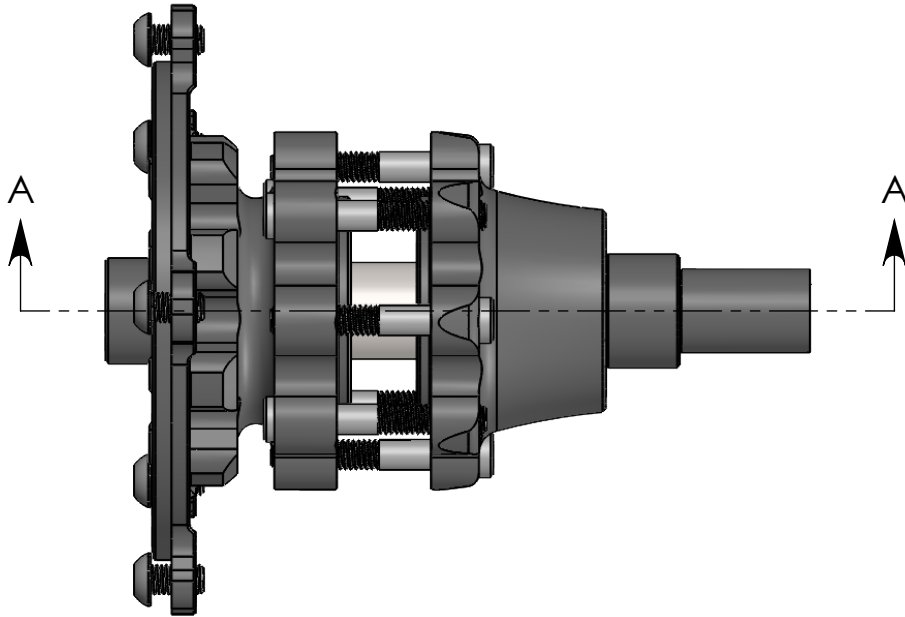


THIS DRAWING IS PROTECTED UNDER COPYRIGHT LAW AND IS THE PROPERTY OF ROLAND SANDS DESIGN. DATA CONTAINED HEREIN IS PROPRIETARY TO ROLAND SANDS DESIGN. THIS DRAWING AND/OR ANY PART OF THE DATA CONTAINED HEREIN MAY NOT BE COPIED, DUPLICATED OR RELEASED FOR MANUFACTURING OR SALE OF EQUIPMENT OUTSIDE OF ROLAND SANDS DESIGN OR AFFILIATES WITHOUT THE WRITTEN CONSENT OF ROLAND SANDS DESIGN.

REVISIONS

Rev #	DESCRIPTION	DRAWN	DATE	APPROVED
x	xxx	xxx	x	



SECTION A-A

Hub Hardware

- 5/16" - 18 x 2.25" SS Socket Head Cap Screw X8
- Washer .316 x .440 .060, SS X8
- 5/16" - 18 x .75" SS Button Head X8
- M8 x 1.25 x 14mm SS Button Head X5

***Accepts stock or aftermarket Yamaha R6 1999-2004 /R6S 2006-2009 front brake rotor with 298mm diameter**


If more dimensions are needed, please contact tech@rolandsands.com

UNLESS OTHERWISE SPECIFIED

1. DIMENSIONS ARE IN INCHES
2. INTERPRET PER ASME Y14.5M-1994
3. SURFACE TEXTURE SHALL BE 63
4. REMOVE ALL BURRS AND SHARP EDGES .015

○	= .005	.XXXX	= ±.005
○	= .005	.XXX	= ±.005
○	= .005	.XX	= ±.01
○	= .005	X/X	= ±.031
○	= .005	∠	= ±.5°
○	= .005	⊕	

PARTS LIST

APPROVALS	DATE		
DRAWN BMR	4/3/2020	 Roland Sands Design	
CHECKED CMB	4/6/2020		
CAD GENERATED DRAWING, DO NOT MANUALLY UPDATE		R6 195mm TT Front Hub Kit	
SIZE A	Part #	01-80001-B	REV. 0
SCALE 1:2		SHEET 1 OF 1	