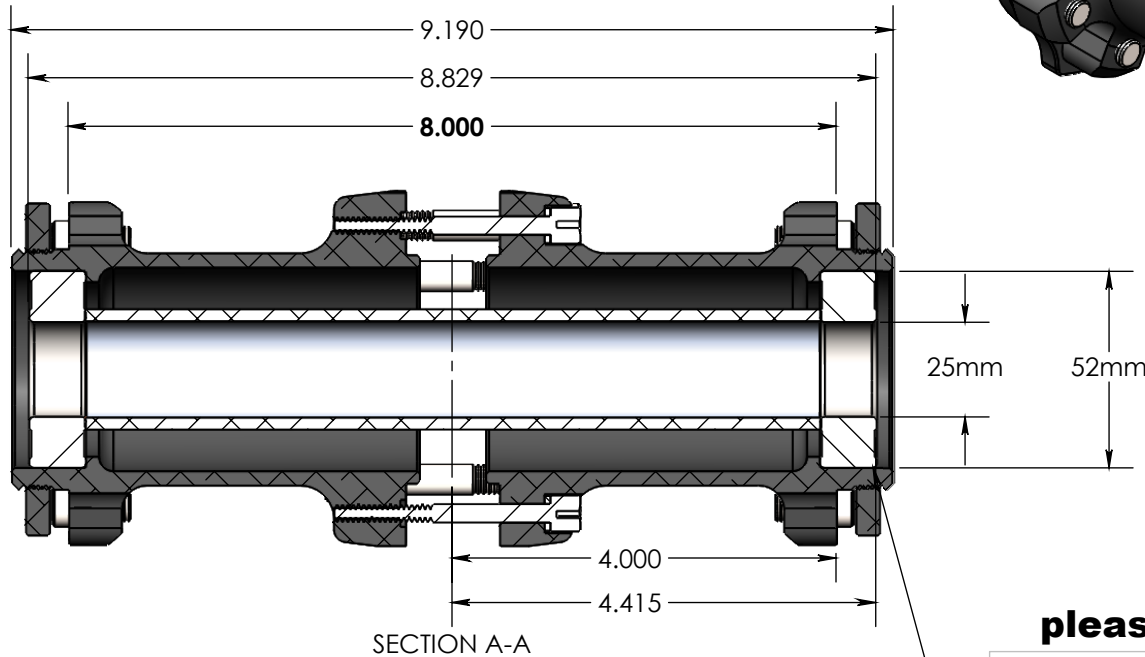
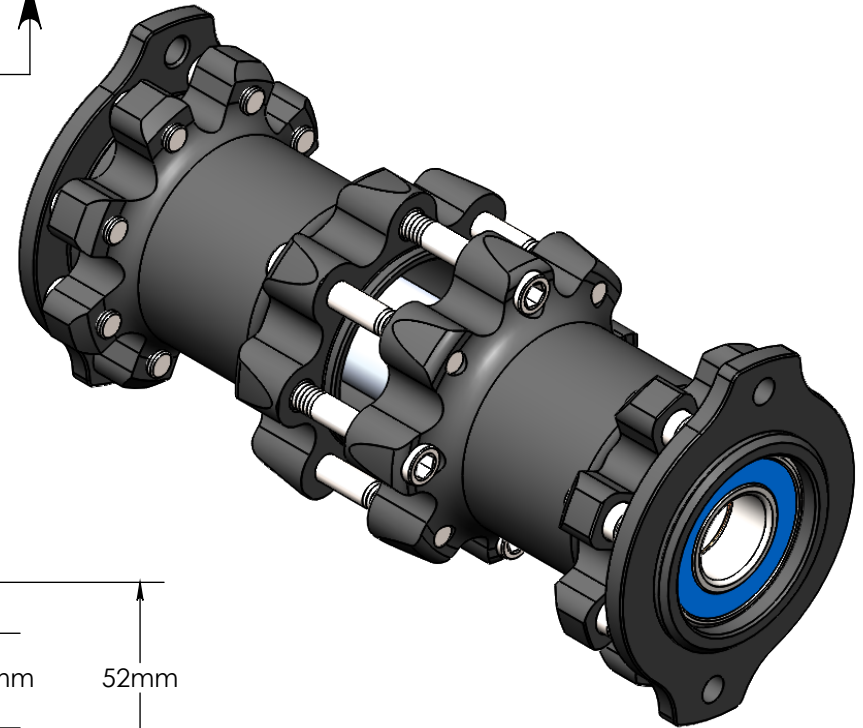
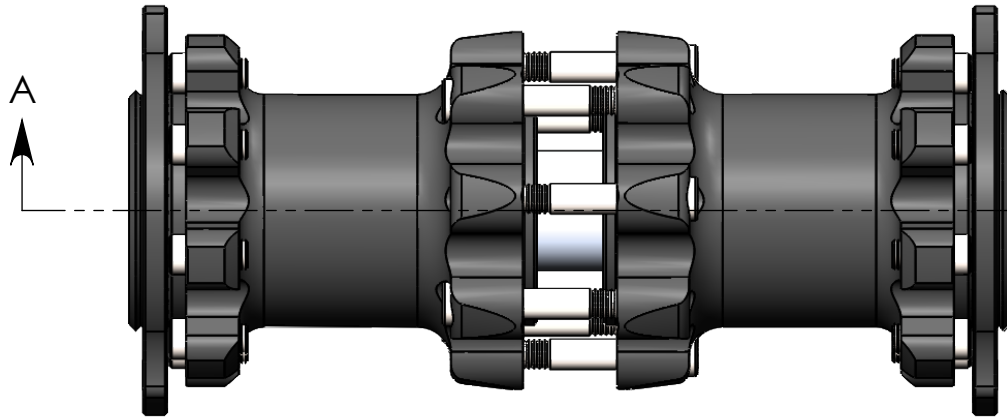


THIS DRAWING IS PROTECTED UNDER COPYRIGHT LAW AND IS THE PROPERTY OF ROLAND SANDS DESIGN. DATA CONTAINED HEREIN IS PROPRIETARY TO ROLAND SANDS DESIGN. THIS DRAWING AND/OR ANY PART OF THE DATA CONTAINED HEREIN MAY NOT BE COPIED, DUPLICATED OR RELEASED FOR MANUFACTURING OR SALE OF EQUIPMENT OUTSIDE OF ROLAND SANDS DESIGN OR AFFILIATES WITHOUT THE WRITTEN CONSENT OF ROLAND SANDS DESIGN.

REVISIONS

Rev #	DESCRIPTION	DRAWN	DATE	APPROVED
x	xxx	xxx	x	



**If more dimensions are needed,
please contact tech@rolandsands.com**

Hub Hardware

- 5/16" - 18 x 2.25" SS Socket Head Cap Screw X8
- Washer .316 x .440 .060, SS X8

UNLESS OTHERWISE SPECIFIED
 1. DIMENSIONS ARE IN INCHES
 2. INTERPRET PER ASME Y14.5M-1994
 3. SURFACE TEXTURE SHALL BE 63
 4. REMOVE ALL BURRS AND SHARP EDGES .015

○	= .005	.XXXX	= ±.005
⊙	= .005	.XXX	= ±.005
∕∕	= .005	.XX	= ±.01
⊥	= .005	X/X	= ±.031
↗	= .005	∠	= ±.5°
⊕	= .005		

PARTS LIST

APPROVALS	DATE
DRAWN BMR	4/3/2020
CHECKED CMB	4/6/2020



Roland Sands Design

CAD GENERATED DRAWING,
DO NOT MANUALLY UPDATE

8.0" Rear Quick Change
Hub Kit

SIZE	Part #	REV.
A	0129-3008-B	0

SCALE 1:2 SHEET 1 OF 1