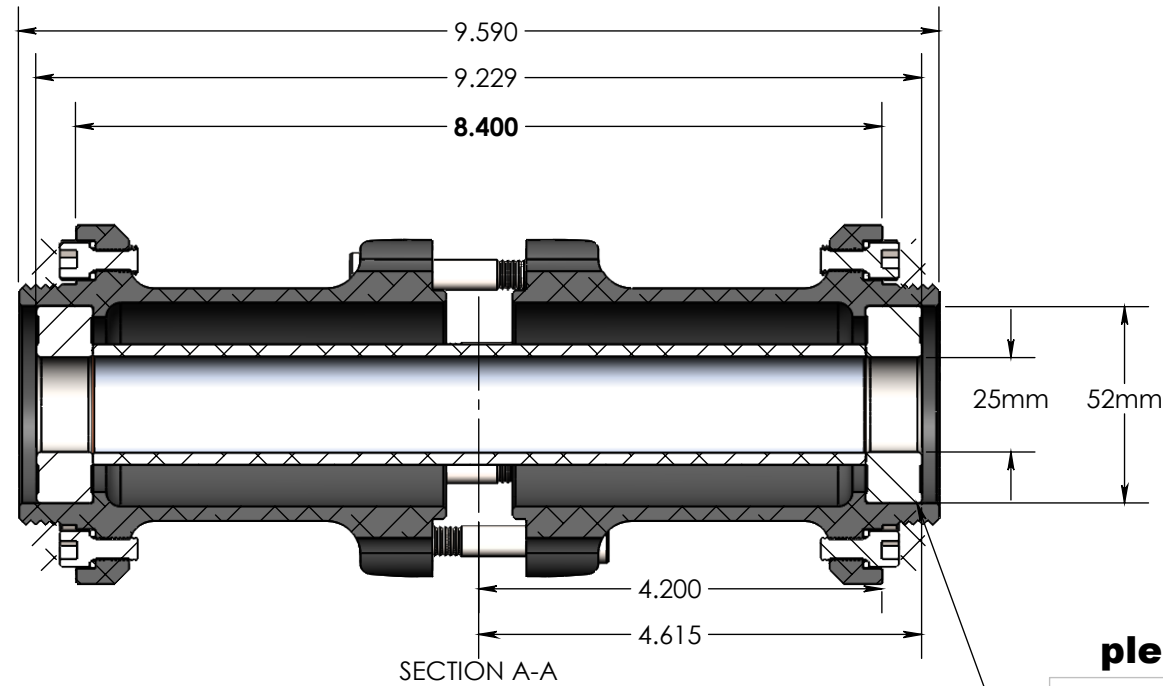
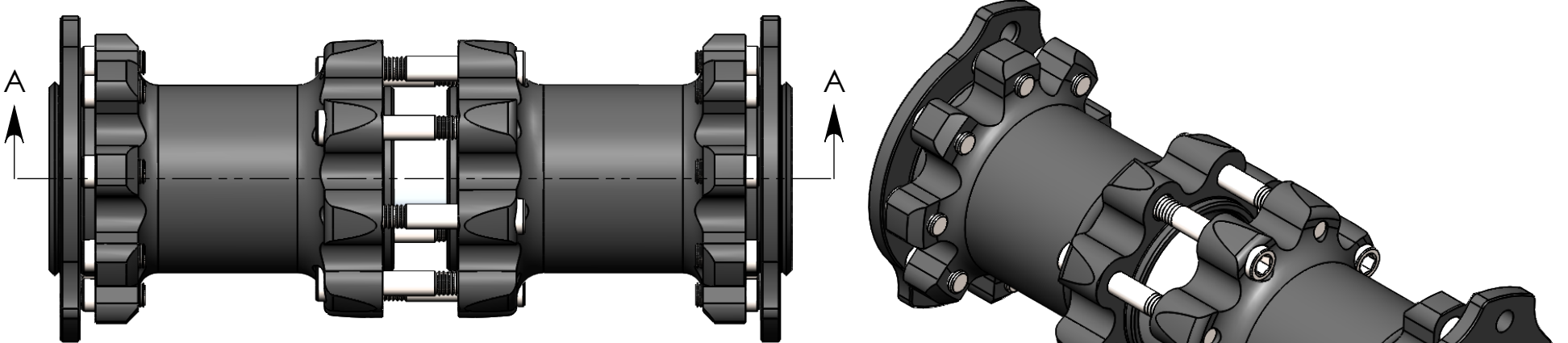


THIS DRAWING IS PROTECTED UNDER COPYRIGHT LAW AND IS THE PROPERTY OF ROLAND SANDS DESIGN. DATA CONTAINED HEREIN IS PROPRIETARY TO ROLAND SANDS DESIGN. THIS DRAWING AND/OR ANY PART OF THE DATA CONTAINED HEREIN MAY NOT BE COPIED, DUPLICATED OR RELEASED FOR MANUFACTURING OR SALE OF EQUIPMENT OUTSIDE OF ROLAND SANDS DESIGN OR AFFILIATES WITHOUT THE WRITTEN CONSENT OF ROLAND SANDS DESIGN.

REVISIONS

Rev #	DESCRIPTION	DRAWN	DATE	APPROVED
x	xxx	xxx	x	



6205-2RS Bearings

If more dimensions are needed, please contact tech@rolandsands.com

Hub Hardware

- 5/16" - 18 x 2.25" SS Socket Head Cap Screw X8
- Washer .316 x .440 .060, SS X8

UNLESS OTHERWISE SPECIFIED		PARTS LIST	
○ = .005	.XXXX = ±.005	APPROVALS	DATE
○ = .005	.XXX = ±.005	DRAWN BMR	4/3/2020
□ = .005	.XX = ±.01	CHECKED CMB	4/6/2020
⊥ = .005	X/X = ±.031	CAD GENERATED DRAWING, DO NOT MANUALLY UPDATE	
∠ = .005	∠ = ±.5°	SIZE A	Part #
⊕ = .005			0129-3009-B
		SCALE 1:2	SHEET 1 OF 1



8.4" Rear Quick Change Hub Kit

REV. 0